

Work instructions:

Replace timer on Cleanfix control unit

214578



In addition to this manual you will find a video tutorial on our website at:
<https://cleanfix.org/en/service/instructions-replace-timer>

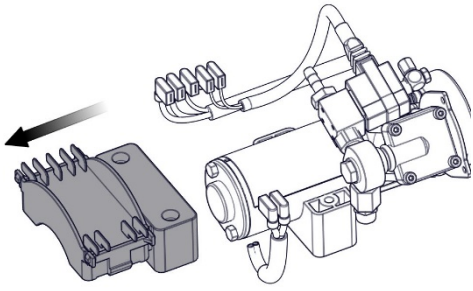
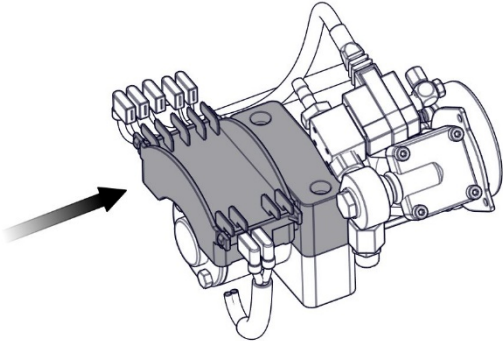
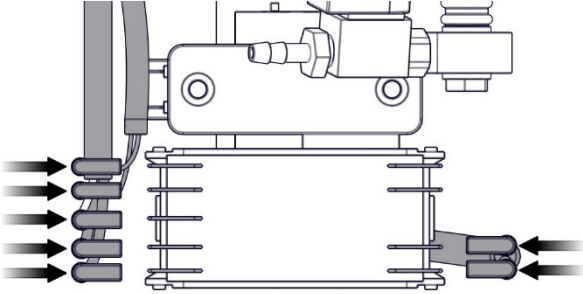
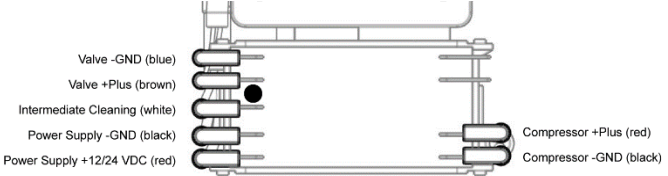
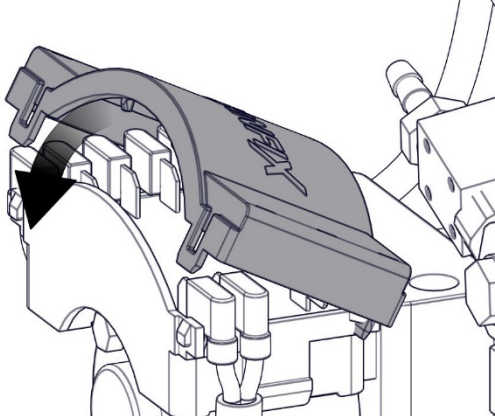


	<p>1. Remove the Cleanfix cover.</p>
	<p>2. Remove the terminals from the plugs with a clamping pliers. 3. Cut off the cable tie with a side cutter.</p>
	<p>4. Unscrew nut and screws of the rear timer housing.</p>

Work instructions:

Replace timer on Cleanfix control unit

214578

	<p>5. Remove and dispose the front timer housing.</p>
	<p>6. Replace the new timer front housing.</p>
	<p>7. Connect the terminals to the new plugs again.</p> 
	<p>8. Tie the electronic cables with cable ties 9. Shorten excess lengths of cable ties.</p> <p>10. Clip the Cleanfix cover back on.</p>